



Access4U Fax (866)514-9543

Project: _____
Address: _____
Telephone: _____

Comments: _____
Date: _____
By: _____

Does the Ground Slope?

Indicate direction and elevation changes if more than 6 inches

Indicate any obstacles (railings, trees, buildings etc)

Sketch Ramp using 1 block per ft.

Indicate Height of ramp in inches EX:

Email: custserv@access4uinc.com

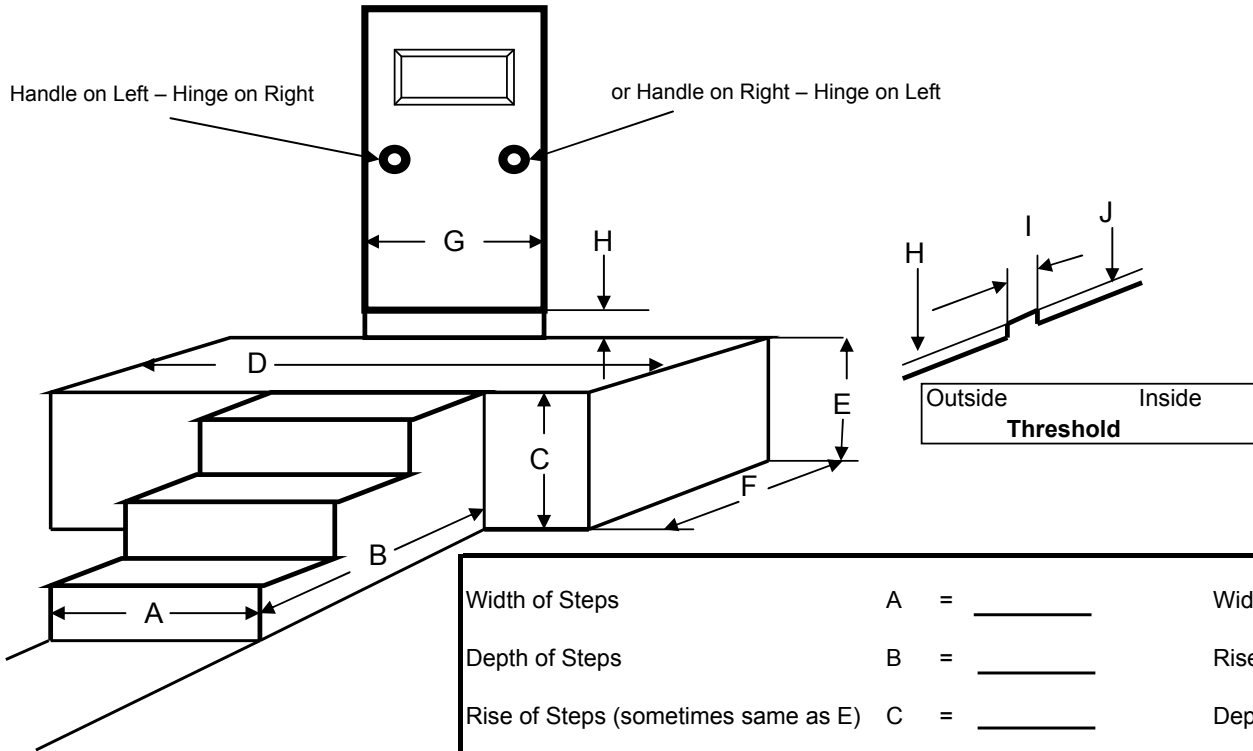
Access4U Fax: (866)514-9543

Tel: (800)355-7025

Project:

By:

Comments:



ADA recommends a slope of 1 inch rise per foot of ramp. This is frequently described as 1:12.
ADA also recommends that any ramp of 30 ft. long have a turn or resting platform installed.
Access4U strongly recommends following ADA Guidelines

Width of Steps	A = _____	Width of Door	G = _____
Depth of Steps	B = _____	Rise of Threshold - Exterior	H = _____
Rise of Steps (sometimes same as E)	C = _____	Depth of Threshold	I = _____
Width of Landing	D = _____	Rise of Threshold - Interior	J = _____
Rise of Landing (usually same as C)	E = _____	Door Opens Out/In	= _____
Depth of Landing	F = _____	Door Hinge on Left/Right	= _____
		Is Exit Plate Required?	= _____

Note: D, E, and F may be "zero" if porch is not present and steps go right to door